



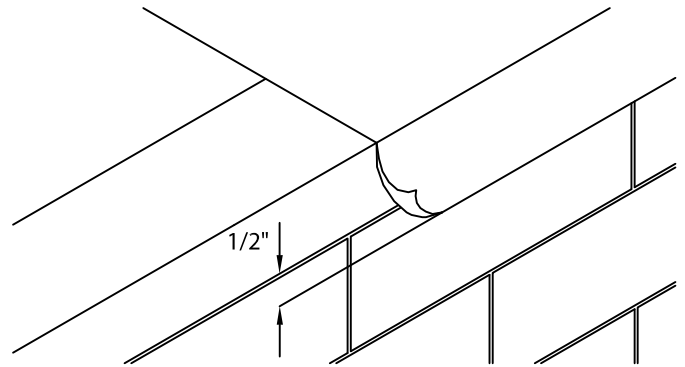
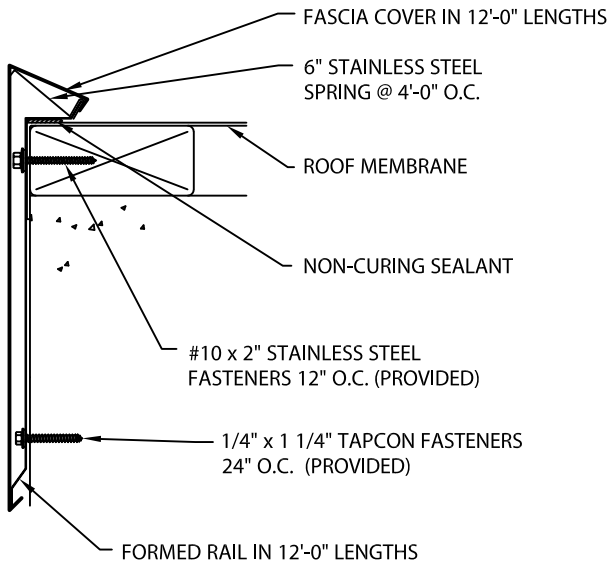
# TREMLOCK ECO EDGE EXTENDED FASCIA SINGLE-PLY

FULLY ADHERED OR MECHANICALLY ATTACHED SINGLE-PLY VERSION

## INSTALLATION INSTRUCTIONS

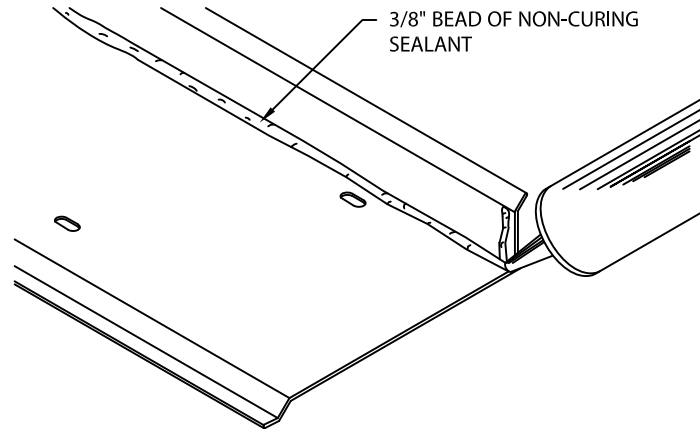
### FOR RADIUS INSTALLATION INSTRUCTIONS SEE PAGE 7 & 8

#### TYPICAL INSTALLATION FOR 12'-0" STRAIGHT COVER



#### STEP 1 - MEMBRANE

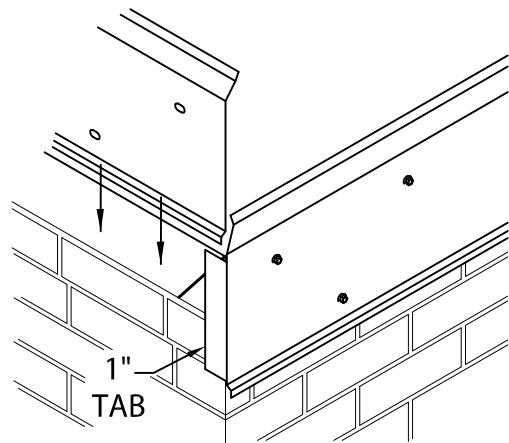
POSITION MEMBRANE OVER THE ROOF EDGE AND DOWN THE OUTSIDE FACE OF THE WALL, OVERLAPPING THE NAILER(S) BY AT LEAST 1/2". BE SURE THE EDGE OF THE WOOD NAILER(S) IS ALIGNED FLUSH WITH OR SLIGHTLY OVER THE EDGE OF THE WALL.



BASE RAIL SHOWN WITH INSIDE FACE UP.

#### STEP 2 - MITER & SCUPPER BASE RAIL (PREPARATION)

LAY THE BASE RAIL ON THE DECK WITH THE OUTSIDE FACE DOWN. IF NECESSARY, CLEAN THE BACK SIDE OF THE BASE RAIL OF DUST OR DIRT. APPLY A HEAVY 3/8" BEAD OF NON-CURING SEALANT TO THE RIGHT ANGLE INTERSECTION OF THE DECK FLANGE AND BASE RAIL THE ENTIRE LENGTH OF BASE RAIL AS SHOWN. APPLY A SIMILAR 3/8" BEAD OF SEALANT TO THE BOTTOM OF THE FLANGE'S LEFT END, AS YOU LOOK AT THE OUTSIDE FACE OF THE BASE RAIL SECTION.



#### STEP 3 - RAIL MITER PREPARATION

SEE PAGE 5 FOR MITER PREPARATION. FASTEN MITER BASE RAIL TO NAILER(S) THROUGH BASE RAIL SLOTS WITH PROVIDED FASTENERS.



PHONE: 262-953-2666  
 EDGESYSTEMS@TREMCOINC.COM  
 WWW.TREMCOROOFING.COM

DATE: 07/20/18  
 DRN BY: JJC  
 CKD BY: SAK

SHT.# 1 OF 8  
 DWG# 60110-29285

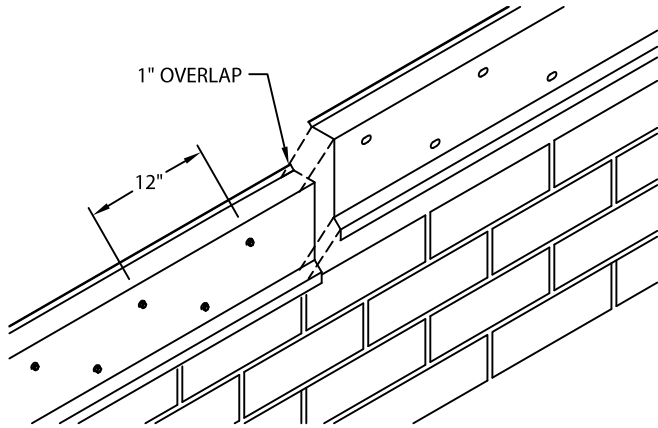
A



# TREMLOCK ECO EDGE EXTENDED FASCIA SINGLE-PLY

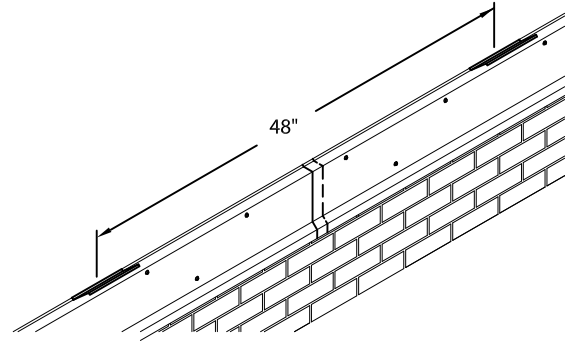
FULLY ADHERED OR MECHANICALLY ATTACHED SINGLE-PLY VERSION

## INSTALLATION INSTRUCTIONS



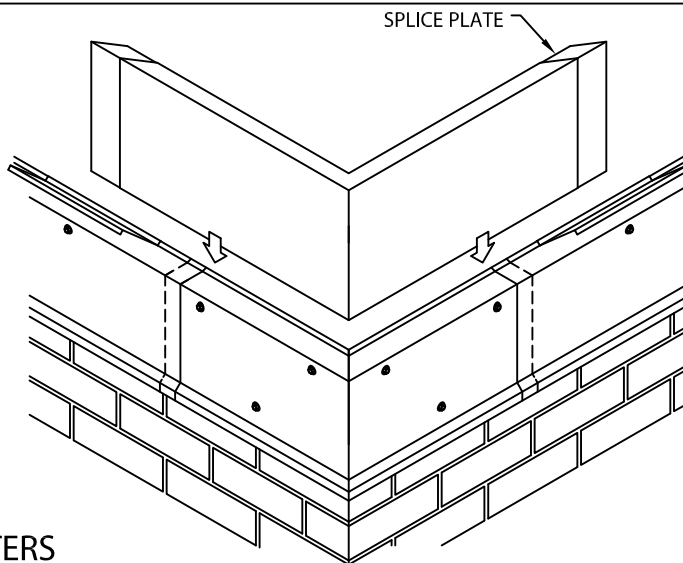
### STEP 4 - BASE RAIL INSTALLATION

INSTALL 12'-0" SECTION OF BASE RAIL FROM RIGHT TO LEFT AS SEEN FROM ROOF TOP, LAPPING THE PREVIOUS SECTION 1". FASTEN BASE RAIL TO NAILER(S) THROUGH BASE RAIL SLOTS 12" O.C. WITH PROVIDED FASTENERS. FIELD CUT THE BASE RAIL SECTIONS AS NEEDED.



### STEP 5 - SPRING CLIPS

PLACE 6" SPRINGS 4'-0" O.C., MAKING SURE THERE WILL BE A SPRING CLIP UNDER EACH FASCIA COVER END.



### STEP 6 - MITERS

PLACE SPLICE PLATE INTO EACH END OF MITER COVER. SIMPLY POSITION THE COVER ABOVE THE RAIL AND WITH PALM OF HAND APPLY SLIGHT PRESSURE DOWNWARD UNTIL ENGAGED TO THE BOTTOM OF BASE RAIL. IF MITERS ARE NOT SUPPLIED, SEE PAGE 6 FOR FABRICATION INSTRUCTIONS.



PHONE: 262-953-2666  
EDGESYSTEMS@TREMCOINC.COM  
WWW.TREMCOROOFING.COM

DATE: 07/20/18

DRN BY: JJC

CKD BY: SAK

SHT.# 2 OF 8

DWG# 60110-29285

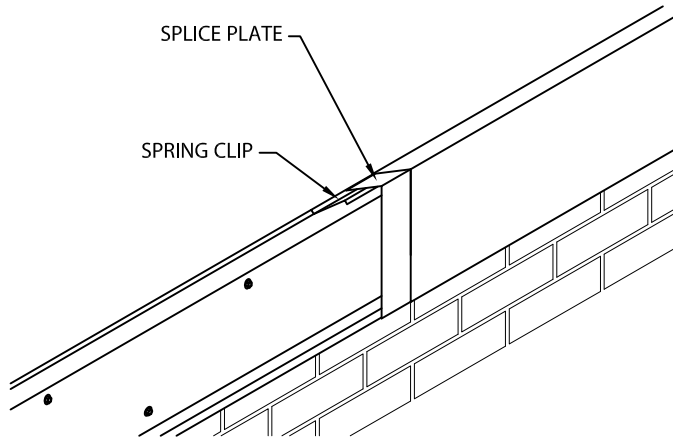
A



# TREMLOCK ECO EDGE EXTENDED FASCIA SINGLE-PLY

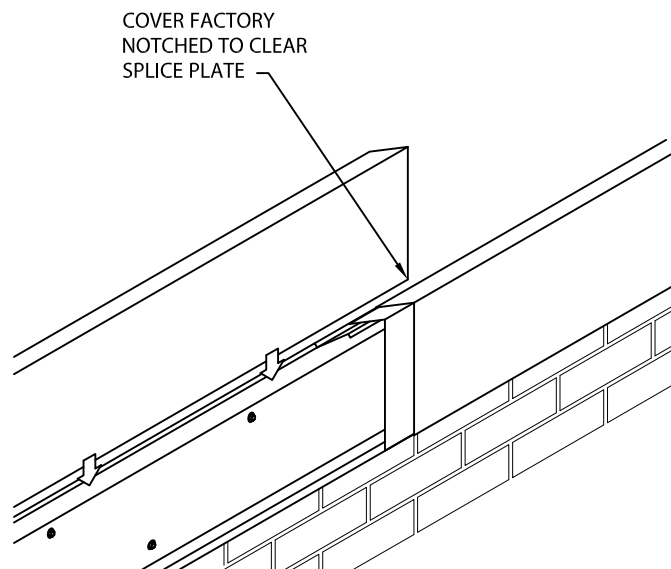
FULLY ADHERED OR MECHANICALLY ATTACHED SINGLE-PLY VERSION

## INSTALLATION INSTRUCTIONS



### STEP 7 - SPLICE PLATES

REMOVE THE PROTECTIVE FILM FROM FASCIA COVERS.  
FASCIA COVERS SHALL BE INSTALLED FROM LEFT TO RIGHT AS SEEN FROM ROOFTOP. PLACE SPLICE PLATE IN RIGHT END OF COVER. SNAP RIGHT COVER ONTO BASE RAIL BY APPLYING DOWNWARD PRESSURE WITH PALM OF HAND UNTIL THE FASCIA COVER IS FULLY ENGAGED ALONG ENTIRE LENGTH. FIELD CUT COVERS AS REQUIRED WITH FINE TOOTH HACKSAW.



### STEP 8 - FASCIA COVERS

POSITION PRE-NOTCHED COVER AND SNAP ONTO BASE RAIL BY PRESSING DOWN WITH THE PALM OF YOUR HAND UNTIL THE COVER IS FULLY ENGAGED ALONG THE ENTIRE LENGTH. ALLOW A 3/8" GAP BETWEEN COVER SECTIONS. FIELD CUT WHERE NECESSARY USING A FINE TOOTH HACKSAW.



PHONE: 262-953-2666  
EDGESYSTEMS@TREMCOINC.COM  
WWW.TREMCOROOFING.COM

DATE: 07/20/18  
DRN BY: JJC  
CKD BY: SAK

SHT.# 3 OF 8  
DWG# 60110-29285

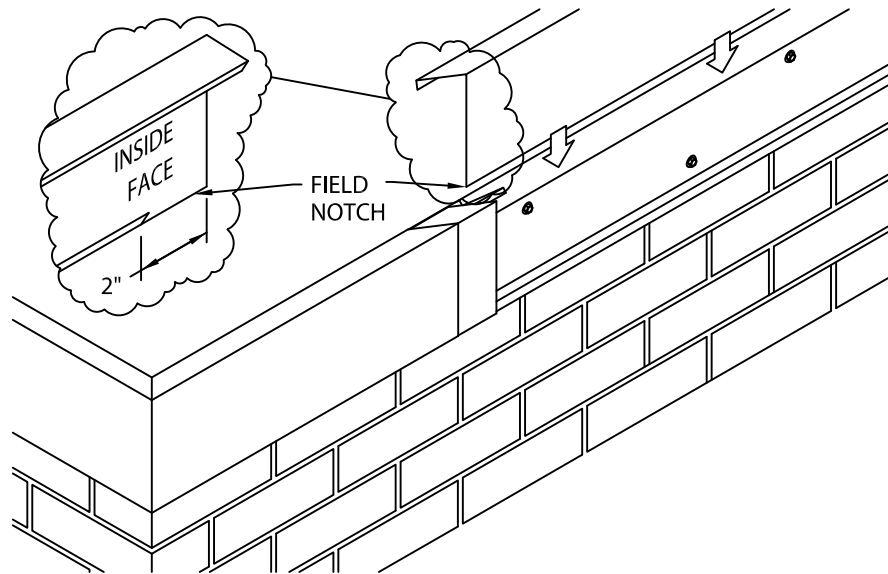
A



# TREMLOCK ECO EDGE EXTENDED FASCIA SINGLE-PLY

FULLY ADHERED OR MECHANICALLY ATTACHED SINGLE-PLY VERSION

## INSTALLATION INSTRUCTIONS



### STEP 9 - FASCIA COVERS

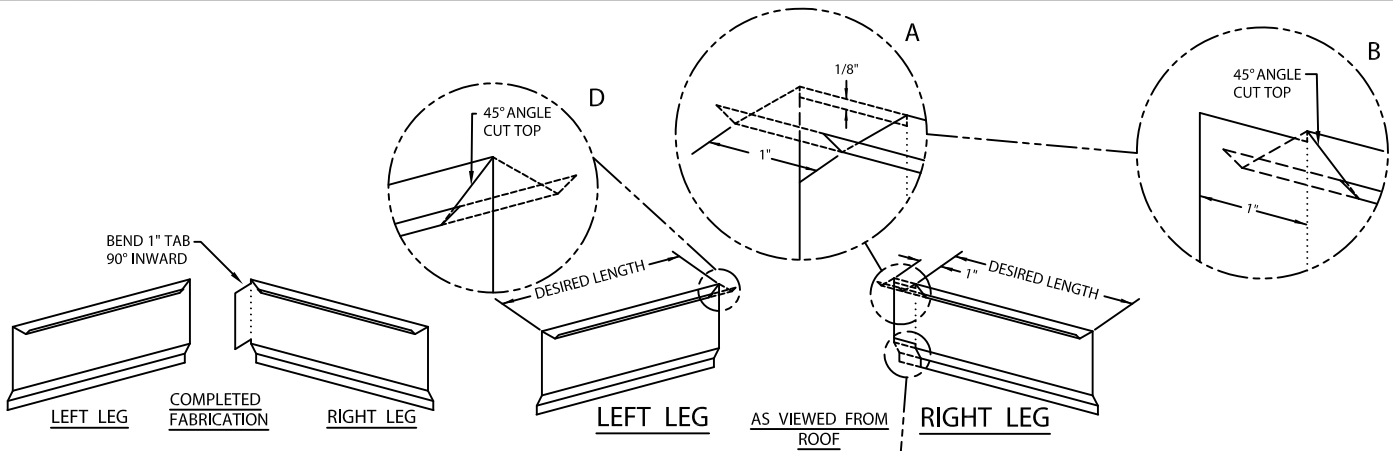
AT MITER, FIELD NOTCH RIGHT SIDE OF COVER AS SHOWN. SNAP ONTO BASE RAIL BY PRESSING DOWN WITH THE PALM OF YOUR HAND UNTIL THE COVER IS FULLY ENGAGED ALONG THE ENTIRE LENGTH. ALLOW 3/8" BETWEEN COVER SECTIONS. FIELD CUT WHERE NECESSARY USING THE FINE TOOTH HACKSAW.



# TREMLOCK ECO EDGE EXTENDED FASCIA SINGLE-PLY

FULLY ADHERED OR MECHANICALLY ATTACHED SINGLE-PLY VERSION

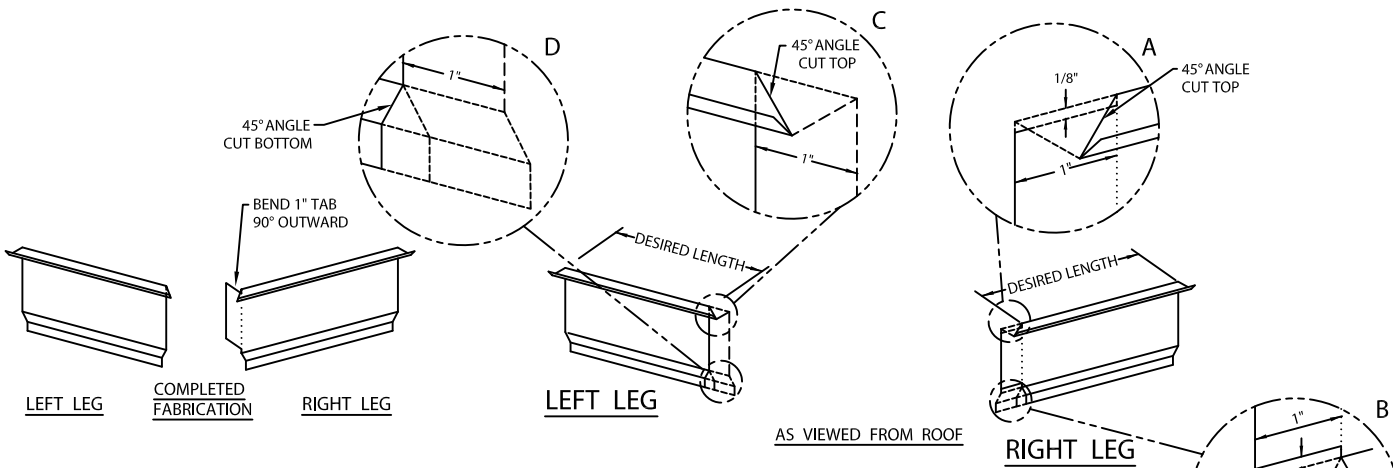
## INSTALLATION INSTRUCTIONS



### STEP 10 - OUTSIDE MITER RAIL FABRICATION (CUT RAIL TO DESIRED LENGTH)

RIGHT LEG - DETAIL A: FIRST REMOVE A 1" SECTION FROM TOP FLANGE, 1/8" DOWN FACE AND 1" HORIZONTALLY AS SHOWN TO CREATE TAB. DETAIL B: CUT TOP FLANGE AT A 45° ANGLE. DETAIL C: CUT OFF BOTTOM FACE 1/8" x 1" AS SHOWN AND CONTINUE THROUGH AREA SHOWN ON BOTTOM FLANGE. BEND TAB INWARDS 90°.

LEFT LEG - DETAIL D: TRIM TOP FLANGE AT A 45° ANGLE.



### STEP 11 - INSIDE MITER RAIL FABRICATION (CUT RAIL TO DESIRED LENGTH)

RIGHT LEG - DETAIL A: FIRST REMOVE SECTION 1/8" DOWN AND 1" HORIZONTALLY AS SHOWN TO CREATE TAB. TRIM TOP FLANGE BACK AT A 45° ANGLE. DETAIL B: CUT OFF BOTTOM FACE 1/8" AS SHOWN AND CONTINUE CUT AT A 45° ANGLE THROUGH AREA SHOWN ON BOTTOM FLANGE.

LEFT LEG - DETAIL C: CUT TOP FLANGE AT A 45° ANGLE. CONTINUE DOWN FACE. DETAIL D: CUT BOTTOM FLANGE AT A 45° ANGLE AS SHOWN.



PHONE: 262-953-2666  
 EDGESYSTEMS@TREMCOINC.COM  
 WWW.TREMCOROOFING.COM

DATE: 07/20/18  
 DRN BY: JJC  
 CKD BY: SAK

SHT.# 5 OF 8  
 DWG# 60110-29285

A



# TREMLOCK ECO EDGE EXTENDED FASCIA SINGLE-PLY

FULLY ADHERED OR MECHANICALLY ATTACHED SINGLE-PLY VERSION

## INSTALLATION INSTRUCTIONS

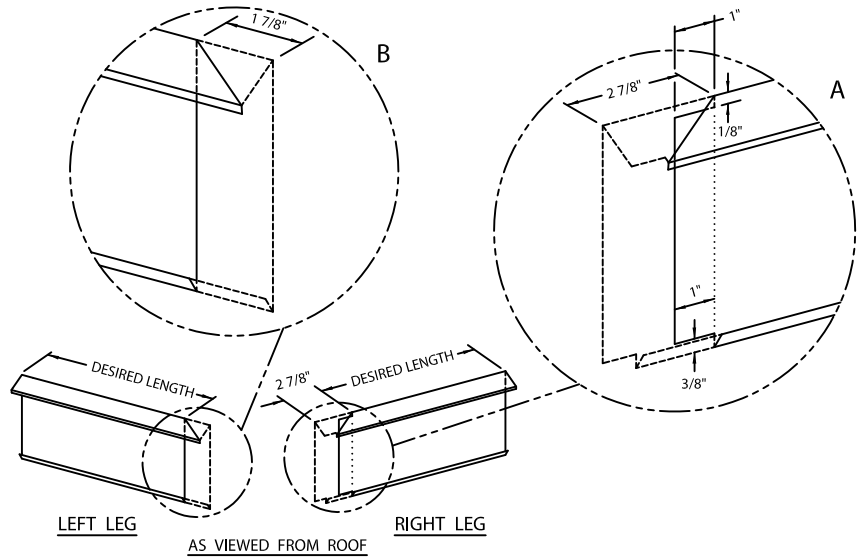
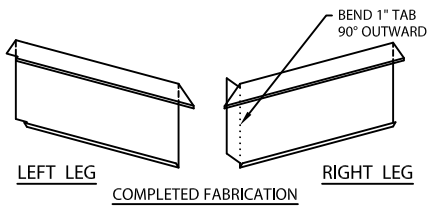
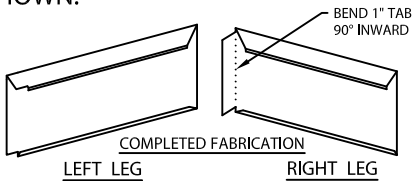
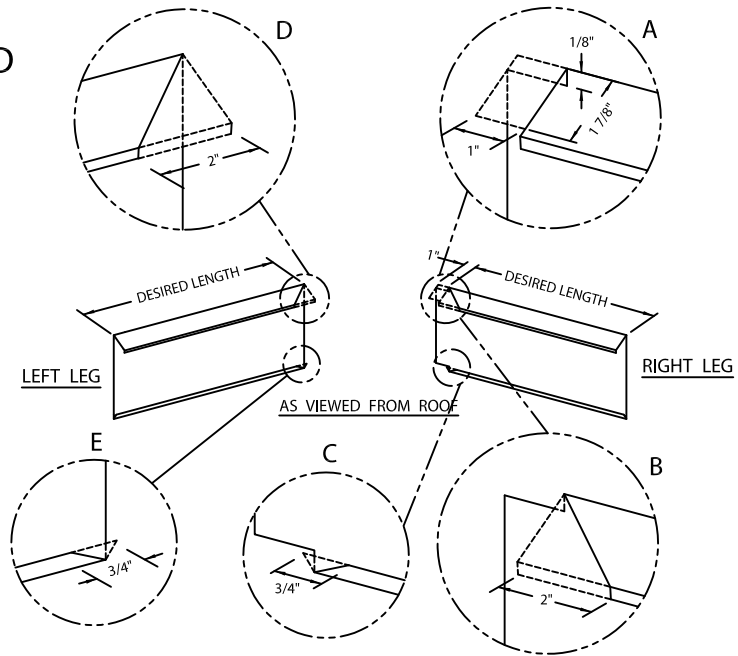
### STEP 12 - OUTSIDE MITER COVER FABRICATION (CUT COVER TO DESIRED LENGTH)

RIGHT LEG - DETAIL A: CREATE TAB BY REMOVING 1" PORTION OF TOP FLANGE AND EXTEND REMOVAL 1/8" DOWN FACE.

DETAIL B: CUT TOP FLANGE AT ANGLE 2" AS SHOWN. DETAIL C: CUT LOWER FLANGE AT AN ANGLE 3/4" AS SHOWN.

BEND 1" TAB 90° INWARD AS SHOWN.

LEFT LEG - DETAIL D: CUT TOP FLANGE AT ANGLE 2" AS SHOWN. DETAIL E: CUT LOWER FLANGE AT AN ANGLE 3/4" AS SHOWN.



### STEP 13 - INSIDE MITER COVER FABRICATION (CUT COVER TO DESIRED LENGTH)

RIGHT LEG - DETAIL A: CREATE TAB BY CUTTING TOP FLANGE AT ANGLE 2 7/8" AS SHOWN. CUT 1/8" DOWN FACE AND 1" HORIZONTALLY. CUT DOWNWARD THROUGH FACE AND CONTINUE CUTTING TO WITHIN 3/8" FROM BOTTOM FLANGE.

CUT 1" HORIZONTALLY AS SHOWN, THEN CUT THROUGH BOTTOM FLANGE. BEND 1" TAB 90° OUTWARD AS SHOWN.

LEFT LEG : DETAIL B: TRIM BACK THE TOP FLANGE ON ANGLE 1 7/8". PROCEED CUTTING THROUGH FRONT FACE AS SHOWN.



PHONE: 262-953-2666  
EDGESYSTEMS@TREMCOINC.COM  
WWW.TREMCOROOFING.COM

DATE: 07/20/18  
DRN BY: JJC  
CKD BY: SAK

SHT.# 6 OF 8  
DWG# 60110-29285

A



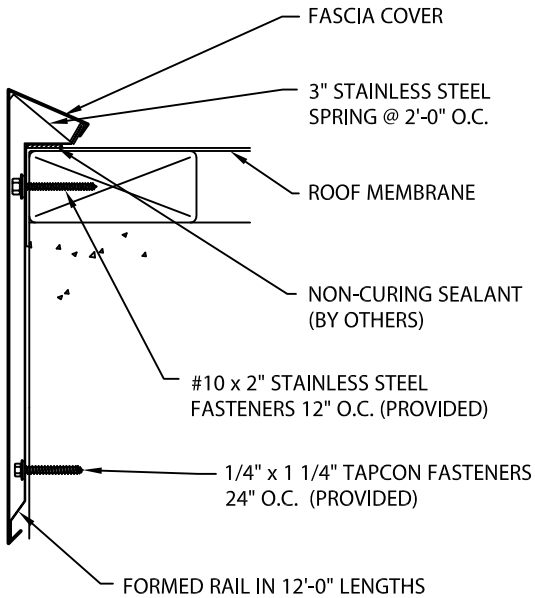
# TREMLOCK ECO EDGE EXTENDED FASCIA SINGLE-PLY

FULLY ADHERED OR MECHANICALLY ATTACHED SINGLE-PLY VERSION

## INSTALLATION INSTRUCTIONS

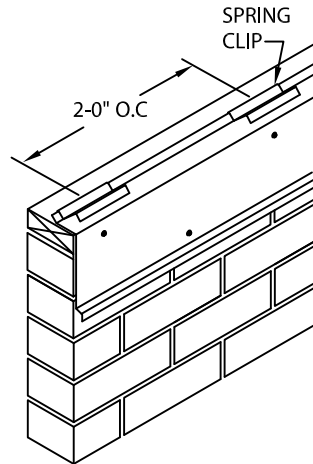
### RADIUS INSTALLATION INSTRUCTIONS

#### TYPICAL INSTALLATION



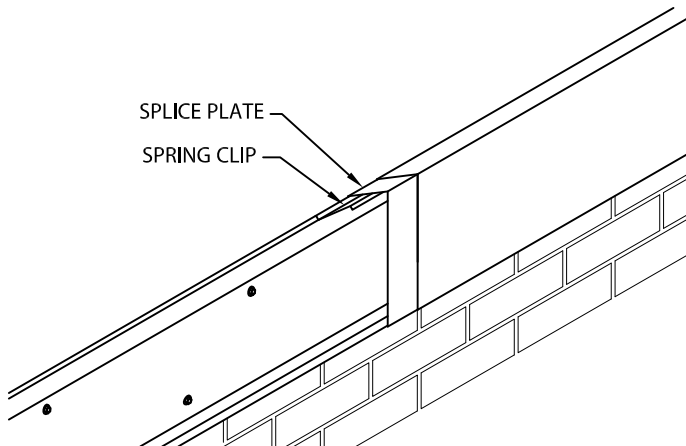
#### STEP 1

FOLLOW DIRECTIONS ON PAGE 1 FOR INSTALLING ROOF MEMBRANE & RAIL.



#### STEP 2 - SPRING CLIPS

LOCATE 3" WIDE SPRING CLIPS, STARTING WITH ONE AT THE END OF RAIL, THEN AT EVERY 2'-0" O.C., MAKING SURE THERE WILL BE A SPRING CLIP UNDER EACH FASCIA COVER END.



#### STEP 3 - SPLICE PLATES

REMOVE THE PROTECTIVE FILM FROM FASCIA COVERS. FASCIA COVERS SHALL BE INSTALLED FROM LEFT TO RIGHT (AS IN STEP 7 ON PAGE 3). PLACE SPLICE PLATE IN RIGHT END OF THE COVER. SNAP RIGHT COVER ONTO BASE RAIL BY APPLYING DOWNWARD PRESSURE WITH PALM OF HAND UNTIL THE FASCIA COVER IS FULLY ENGAGED ALONG ENTIRE LENGTH. FIELD CUT COVERS AS REQUIRED WITH FINE TOOTH HACKSAW.



PHONE: 262-953-2666  
EDGESYSTEMS@TREMCOINC.COM  
WWW.TREMCOROOFING.COM

DATE: 07/20/18  
DRN BY: JJC  
CKD BY: SAK

SHT.# 7 OF 8  
DWG# 60110-29285

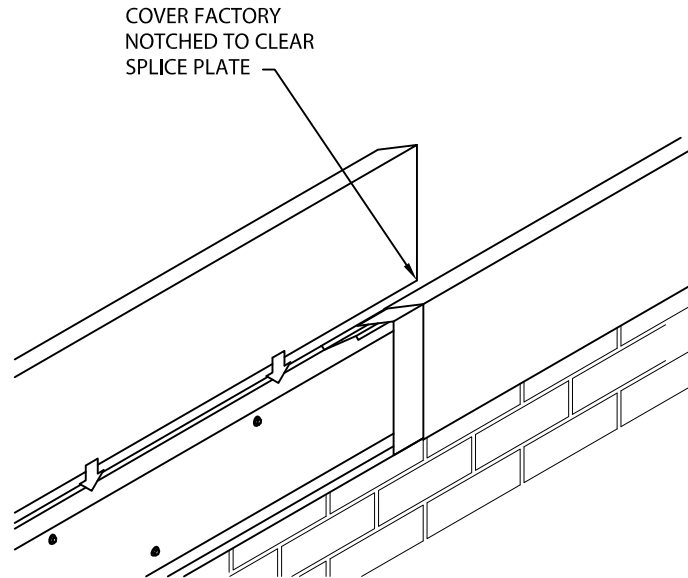
**A**



# TREMLOCK ECO EDGE EXTENDED FASCIA SINGLE-PLY

FULLY ADHERED OR MECHANICALLY ATTACHED SINGLE-PLY VERSION

INSTALLATION INSTRUCTIONS



## STEP 4 - FASCIA COVERS

POSITION PRE-NOTCHED COVER AND SNAP ONTO BASE RAIL BY PRESSING DOWN WITH THE PALM OF YOUR HAND UNTIL THE COVER IS FULLY ENGAGED ALONG THE ENTIRE LENGTH. ALLOW A 3/8" GAP BETWEEN COVER SECTIONS. FIELD CUT WHERE NECESSARY USING A FINE TOOTH HACKSAW.